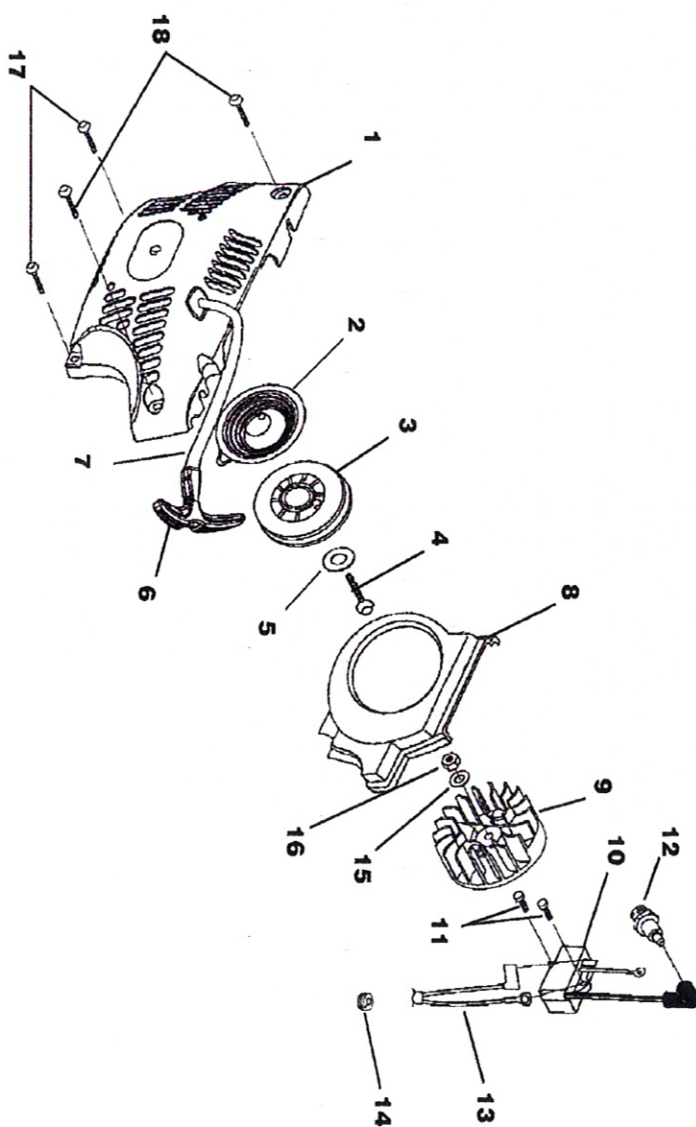


Homelite®

i 4150 b

UT 10867

Starter - Ignition

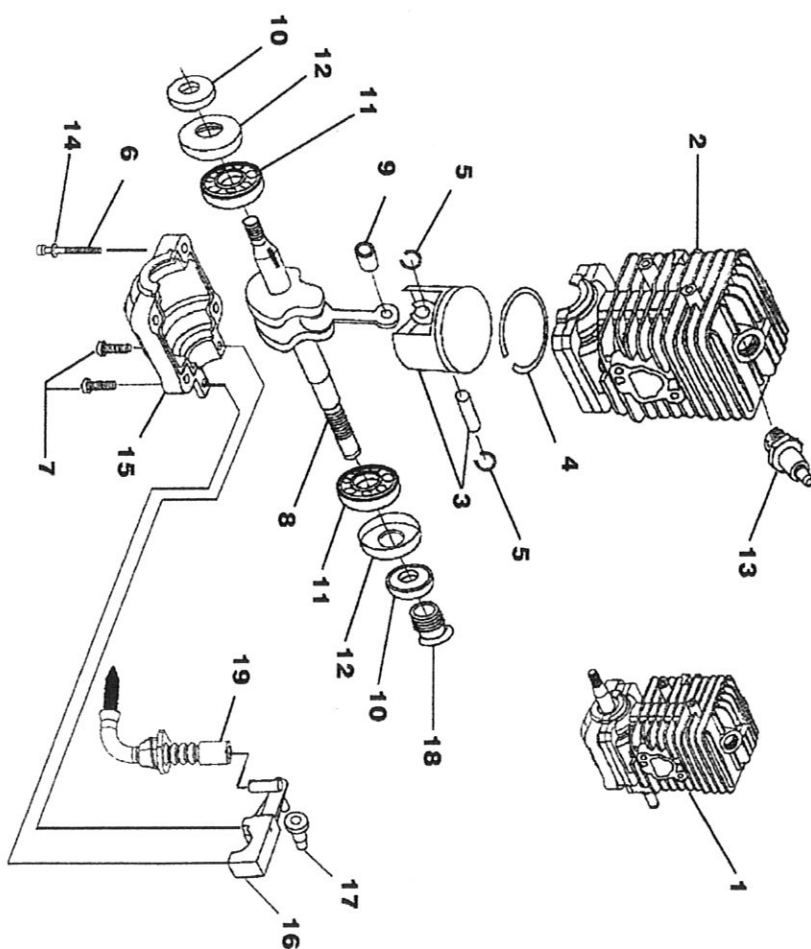


Homelite®

i 4150 b

UT 10867

Engine Internal - Oil Pump

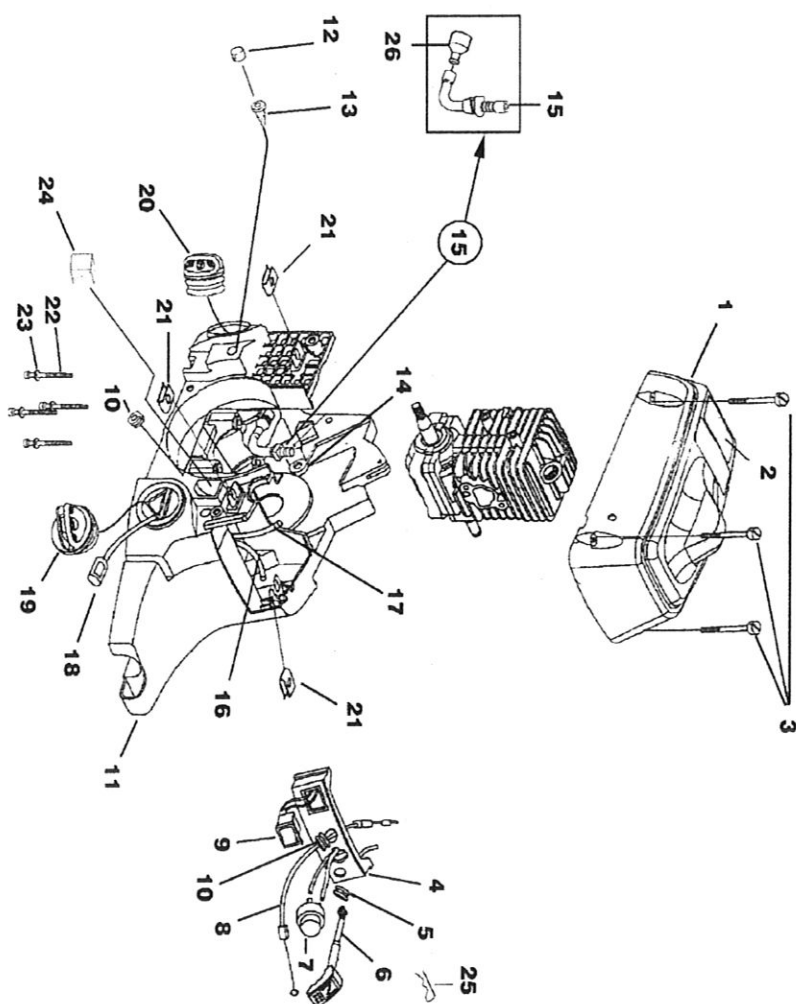


Homelite®

i 4150 b

UT 10867

Engine Housing - Fuel Tank - Oil Tank

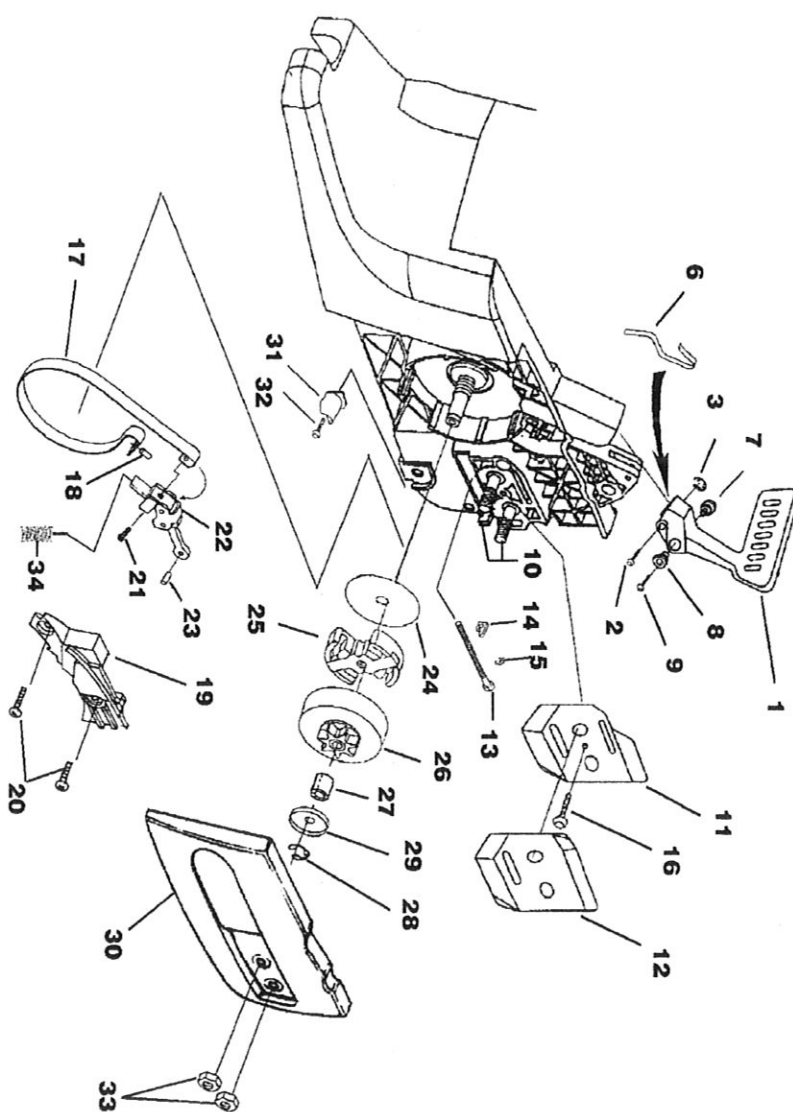


Homelite®

i 4150 b

UT 10867

Clutch - Chain Brake - Drive Case Cover

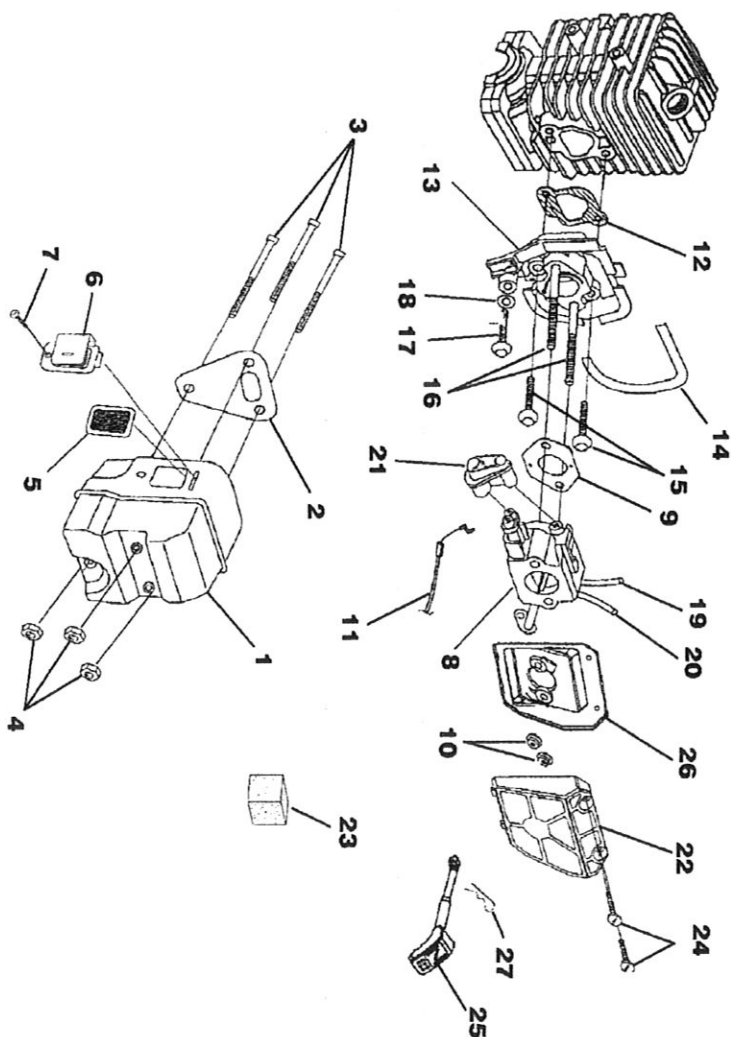


Homelite®

i 4150 b

UT 10867

Carburetor - Muffler - Air Filter

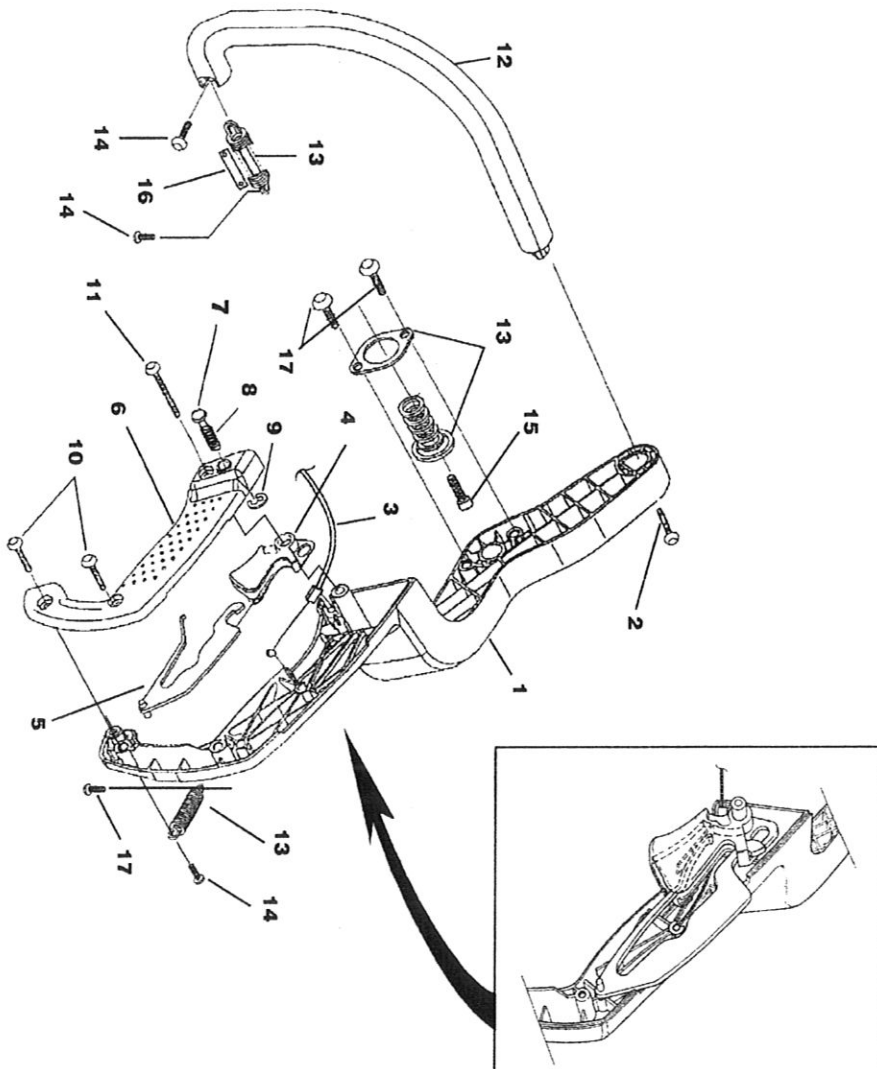


Homelite®

i 4150 b

UT 10867

Handles



**RECOMMENDED RETAIL PRICE
W/O TAX * EXW DUISBURG / PARIS**

Homelite®

i 4150 b CHAIN SAW UT 10867

carburetor - muffler - air filter

Position	Article-no	Description	Qty	Price w/o tax
1	UP06752	MUFFLER KIT (33/38CC); INCLUDES ITEMS 2-7	1	
1	UP00126	MUFFLER KIT (45CC)	1	
2	UP04183	MUFFLER GASKET	1	
3	UP04049	SCREW-SQUARE HD.	3	
4	UP04059	NUT-LOCKING HEX (10-32) TORQUE SPECS 50-60 IN/LBS; 5.6-6.7 NM	3	
5	UP04203	SCREEN, SPARK	1	
6	UP04204	DEFLECTOR, MUFFLER (33/38CC)	1	
6	UP04169	DEFLECTOR, MUFFLER (45CC)	1	
7	UP04244	SCREW	1	
8	UP06737	CARBURETOR ASSY (33 & 38CC); INCLUDES ITEMS 9-10	1	
8	UP00125	CARBURETOR ASSY (45CC)	1	
8	A09160	CARBURETOR ASSY (INT'L 33CC, INT'L 38CC)	1	
8	UP00499	CARBURETOR ASSY (INT'L 41CC, INT'L 45CC)	1	
9	UP04094	CARBURETOR GASKET	1	
10	UP04217	FLANGE NUT (10-24) TORQUE SPECS 30-40 IN/LBS; 3.4-4.5 NM	2	
11	UP04218	THROTTLE CABLE	1	
12	UP04184	GASKET, HEAT DAM	1	
13	UP04173	HEAT DAM	1	
14	UP04191	SEAL, HEAT DAM	1	
15	UP04084	SCREW, TRUSS HD. TAPTITE (10-24 X 7/8") TORQUE SPECS 45-55 IN/LBS; 5.0-6.2 NM	2	
16	UP04189	SCREW, CARBURETOR	2	
17	UP03897	SCREW, THREAD FORM (10-14 X 1/2") TORQUE SPECS 30-40 IN/LBS; 3.4-4.5 NM	1	
18	UP03867	WASHER, RETAINING	1	
19	UP04211	FUEL LINE (TANK TO CARBURETOR 8 1/2")	1	
20	UP04209	FUEL LINE (CARBURETOR TO PURGE BULB 4")	1	
21	UP04171	CARBURETOR GROMMET	1	
X	UP06753	AIR FILTER KIT INCLUDES ITEMS 22-24	1	
22	UP04533	AIR FILTER COVER	1	
23	UP04208	PRE FILTER (IN ENGINE HOUSING)	1	
24	UP04235	SCREW-SLOTTED PAN HD. (8-16 X 5/8") TORQUE SPECS 15-20 IN/LBS; 1.7-2.3 NM	2	
25	UP04213	ROD, CHOKE	1	
26	UP04178	AIR FILTER PLATE	1	
27	UP04227	SPRING CLIP (CHOKE ROD)	1	

clutch - chain brake - drive case cover

Position	Article-no	Description	Qty
1	UP06568	HAND GUARD KIT INCLUDES ITEMS 2-5	1
2	UP04214	HAND GUARD ACTUATING PIN	1
3	UP04056	RETAINING RING	1
4	UP04207	HAND GUARD LINK (NON-CHAIN BRAKE UNITS-NOT SHOWN)	1
5	UP04090	ROLL PIN (NON-CHAIN BRAKE UNITS-NOT SHOWN)	1
6	UP04224	SPRING, HANDGUARD	1
7	UP04202	PIVOT, L.H.	1
8	UP04201	PIVOT, R.H.	1
9	UP04240	SCREW, HEX SOCKET HD. (8-32 X 5/8") TORQUE SPECS 25-35 IN/LBS; 2.8-3.9 NM	1
10	UP04180	GUIDE BAR BOLT	2
X	UP06966	GUIDE BAR ADJUSTING KIT INCLUDES ITEMS 11-15	1
11	UP04206	PLATE, GUIDE BAR	1
12	UP04085	PLATE, GUIDE BAR	1
13	UP04187	SCREW, GUIDE BAR ADJUSTING	1
14	UP04186	PIN, GUIDE BAR ADJUSTING	1
15	UP04056	RING, RETAINING	1
16	UP04082	SCREW, THREAD FORM (6-19 X 1/2") TORQUE SPECS 8-18 IN/LBS; .9-2.0 NM	1
17	A08680A	CHAIN BRAKE KIT INCLUDES ITEMS 18-21	1
18	UP04181	PIN, ROLL	1
19	UP04309	COVER, CHAIN BRAKE	1

20	UP04082	SCREW, PAN HD. (6-19 X 1/2") TORQUE SPECS 10-20 IN/LBS; 1.1-2.3 NM	2
21	UP04239	SCREW, PAN HD. (8-16 X .320) TORQUE SPECS 20-30 IN/LBS; 2.3-3.4 NM	1
22	UP04223	CHAIN BRAKE LINK	1
23	UP04090	PIN, ROLL	1
24	UP04182	THRUST WASHER	1
25	UP06727	CLUTCH & HARDWARE TORQUE SPECS 130-180 IN/LBS; 14.7-20.3 NM	1
26	UP06967	SPROCKET, DRUM (3/8 PITCH) INCLUDES ITEMS 27-28	1
26	UP04560	SPROCKET, DRUM (.325 PITCH) (I3850B & 45CC ONLY)	1
27	UP04175	BEARING, NEEDLE	1
28	UP04228	RING, RETAINING	1
29	UP04179	WASHER, CUPPED	1
30	UP06975	DRIVE CASE COVER INCLUDES ITEMS 31-32	1
31	UP04088	STOP, CHAIN	1
32	UP03900	SCREW, THREAD FORM (10-14 X 3/4") TORQUE SPECS 30-50 IN/LBS; 3.4-5.6 NM	1
33	UP04058	NUT, HEX TORQUE SPECS HAND TIGHT	2
34	UP04032	SPRING, COMPRESSION	1

engine internal - oil pump

Position	Article-no	Description	Qty
1	UP03119	SHORT BLOCK COMPLETE (33CC); INCLUDES ITEMS 2-12	1
1	UP04161	SHORT BLOCK COMPLETE (38CC)	1
1	UP04166	SHORT BLOCK COMPLETE (45CC)	1
2	A08666	CYLINDER KIT (33CC)	1
2	A08667	CYLINDER KIT (38CC)	1
2	UP00129	CYLINDER KIT (45CC)	1
X	UP04183	GASKET, MUFFLER (NOT SHOWN)	1
X	UP04184	GASKET, HEAT DAM (NOT SHOWN)	1
X	UP04094	GASKET, CARBURETOR (NOT SHOWN)	1
3	UP06971	PISTON & PIN (33CC); INCLUDES ITEMS 4-5	1
4	UP04177	PISTON RING (33CC)	1
5	UP04051	RING, RETAINING	2
3	UP06972	PISTON & PIN (38CC); INCLUDES ITEMS 4-5	1
4	UP04190	PISTON RING (38CC)	1
5	UP04051	RING, RETAINING	2
3	UP00130	PISTON & PIN (45CC); INCLUDES ITEMS 4-5	1
4	UP04231	PISTON RING (45CC)	1
5	UP04051	RING, RETAINING	2
6	UP04083	SCREW, CAP-SOCKET HD. (10-24 X 2") TORQUE SPECS 65-75 IN/LBS; 7.3-8.5 NM; REQUIRED LOCTITE 262 RED	4
7	UP03898	SCREW, PAN HD., PLASTITE (8-16 X 5/8") TORQUE SPECS 15-20 IN/LBS; 1.7-2.3 NM	2
8	UP03118	CRANKSHAFT & ROD ASSY (33 & 38CC); INCLUDES ITEMS 9-12	1
8	UP04165	CRANKSHAFT & ROD ASSY (45CC)	1
9	UP04174	BEARING, NEEDLE INCLUDES ITEMS 10-12	1
10	UP04047	SHAFT SEAL	2
11	UP04176	BEARING & RUBBER CASE INCLUDES ITEM 12	2
12	UP04046	RUBBER CASE	2
13	UP04093	SPARK PLUG TORQUE SPECS 120-180 IN/LBS; 13.6-20.3 NM	1
14	UP04087	WASHER	4
15	UP04172	LOWER CRANKCASE (33 & 38CC)	1
15	UP04232	LOWER CRANKCASE (45CC)	1
16	UP06602	OIL PUMP KIT INCLUDES ITEMS 17-19	1
17	UP04185	GROMMET, OIL OUTLET	1
18	UP04188	LEFT HAND WORM	1
19	UP04048	OIL INTAKE TUBE W/FILTER	1

engine housing - fuel tank - oil tank

Position	Article-no	Description	Qty
1	A08692	CYLINDER COVER KIT INCLUDES ITEMS 2-3	1
2	UP04212	SAFETY DECAL	1
3	UP04219	SCREW-SLOTTED PAN HD. TORQUE SPECS 15-25 IN/LBS; 1.7-2.8 NM	3
4	UP04193	CONTROL PANEL	1
5	UP04052	GROMMET	1
6	UP04213	ROD, CHOKE	1
7	UP04033	BULB, AIR PURGE	1
8	UP04218	THROTTLE CABLE	1
9	UP04197	SWITCH, ROCKER	1

10	UP04215	GROMMET - SPLIT	2
11	UP06754	ENGINE HOUSING INCLUDES ITEMS 12-20	1
12	UP04205	ELEMENT, FILTER (BRONZE)	2
13	UP04045	DUCK BILL VALVE	2
14	UP04185	OIL OUTLET GROMMET	1
15	UP04048	OIL INTAKE TUBE	1
16	UP04210	RUBBER TUBING (5 1/2')	1
17	UP04211	RUBBER TUBING (8 1/2')	1
18	UP03871	FUEL FILTER	1
19	DA07590	FUEL CAP W/ RETAINER	1
20	DA07591	OIL CAP W/ RETAINER	1
X	UP04054	OIL FILTER (NOT SHOWN)	1
X	UP04180	GUIDE BAR BOLT (NOT SHOWN)	2
21	UP04221	SPEED NUT ("U-TYPE")	3
22	UP04083	SCREW, CAP-SOCKET HD. (10-24 X 2") TORQUE SPECS 65-76 IN/LBS; 7.3-8.5 NM	4
23	UP04087	WASHER	4
24	UP04208	PRE FILTER	1
25	UP04227	SPRING CLIP (CHOKE ROD)	1
26	UP04054	OIL FILTER	1

handles

Position	Article-no	Description	Qty
1	A08675	REAR HANDLE KIT INCLUDES ITEMS 2-11	1
2	UP04234	SCREW-PAN HD. (12-14 X 1 1/2") TORQUE SPECS 40-50 IN/LBS; 4.5-5.6 NM	1
3	UP04218	THROTTLE CABLE	1
4	UP04195	TRIGGER, THROTTLE	1
5	UP04196	THROTTLE LOCK OUT	1
6	A08683	HANDLE COVER KIT INCLUDES ITEMS 7-10	1
7	UP04199	THROTTLE LOCK PIN	1
8	UP04226	SPRING, COMPRESSION	1
9	UP04050	RING, RETAINER	1
10	UP03900	SCREW, THREAD FORM (10-14 X 3/4") TORQUE SPECS 30-40 IN/LBS; 3.4-4.5 NM	2
11	UP04238	SCREW, THREAD FORM (10-14 X 1 3/8") TORQUE SPECS 30-40 IN/LBS; 3.4-4.5 NM	1
12	UP06973	FRONT HANDLE KIT	1
X	UP04234	SCREW-PAN HD. (12-14 X 1 1/2") (SEE NO. 2 ABOVE)	1
13	UP08007	ISOLATOR KIT INCLUDES 14-16	1
14	UP04237	SCREW, TRUSS HD. (10-14 X 5/8") TORQUE SPECS 30-40 IN/LBS; 3.4-4.5 NM	3
15	UP04233	SCREW, TRUSS HD. (10-24 X 5/8") TORQUE SPECS 40-50 IN/LBS; 4.5-5.6 NM	1
16	UP04200	LIMITER, ISOLATOR	1
17	UP03897	SCREW, THREAD FORM (10-14 X 1/2") TORQUE SPECS 30-40 IN/LBS; 3.4-4.5 NM	3

starter - ignition

Position	Article-no	Description	Qty
1	UP06749	STARTER KIT INCLUDES ITEMS 2-7	1
2	UP04092	SPRING & CONTAINER	1
3	UP05460	PULLEY, STARTER	1
4	UP04237	SCREW, THREAD FORM (10-14 X 5/8") TORQUE SPECS 30-40 IN/LBS; 3.4-4.5 NM	1
5	UP04089	WASHER, RETAINING	1
6	UP04216	GRIP, STARTER	1
7	UP03911	ROPE, STARTER 46'	1
8	UP04192	BAFFLE, FAN HOUSING	1
9	UP05850	ROTOR & STARTER PAWL	1
10	UP07865	IGNITION KIT (33CC MODELS); INCLUDES ITEM 11	1
10	UP05851	IGNITION KIT BOTH KITS INCLUDE:	1
11	UP04086	SCREW, THREAD FORM (8-32 X 5/8") TORQUE SPECS 30-40 IN/LBS; 3.4-4.5 NM	2
12	UP05875	SPARK PLUG TORQUE SPECS 120-180 IN/LBS; 13.6-20.3 NM	1
13	UP04222	IGNITION SWITCH HARNESS	1
14	UP04215	GROMMET, WIRE HARNESS (SPLIT)	1
15	UP04241	WASHER, FLAT	1
16	UP04081	NUT, JAM TORQUE SPECS 100-150 IN/LBS; 11.3-16.9 NM	1
17	UP04236	SCREW, TRUSS HD. (10-14 X 7/8") TORQUE SPECS 30-40 IN/LBS; 3.4-4.5 NM	2
18	UP04237	SCREW, TRUSS HD. (10-14 X 5/8") TORQUE SPECS 30-40 IN/LBS; 3.4-4.5 NM	2

PRICES ARE SUBJECT TO CHANGE WITHOUT NOTICE

RQ* ... ON REQUEST

NLA* ... NO LONGER AVAILABLE